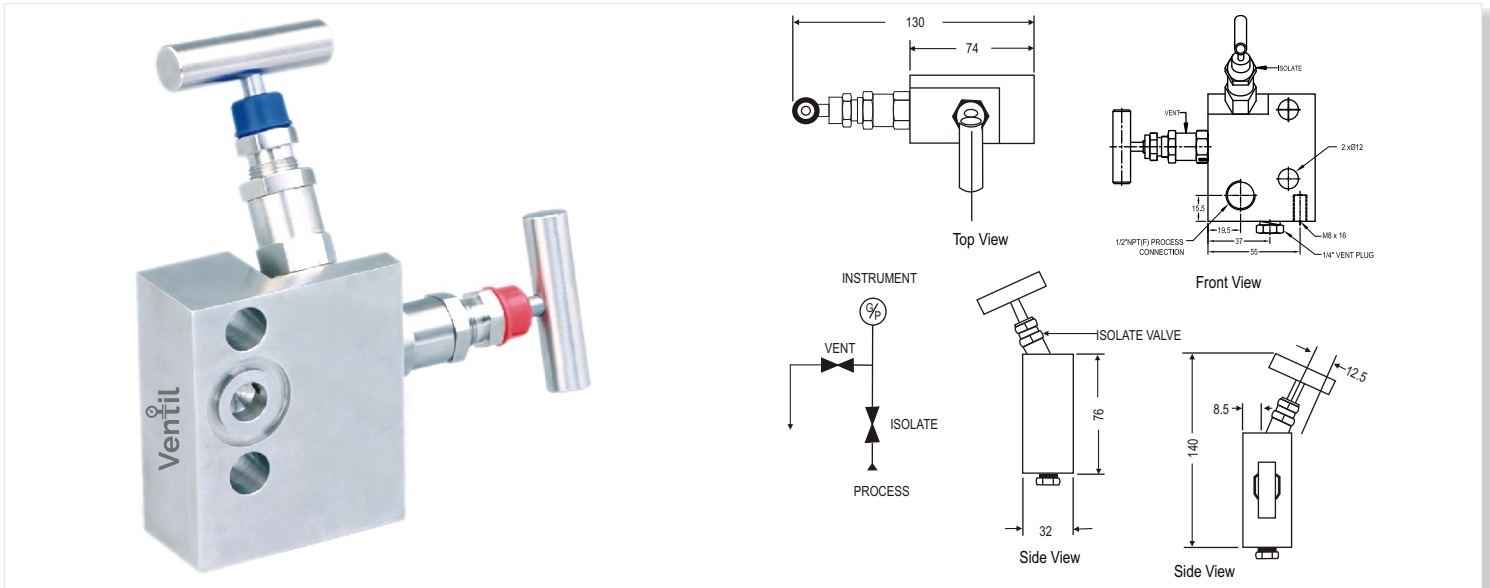


TWO VALVE MANIFOLDS

DIRECT MOUNT (PIPE TO FLANGE)

MODEL CODE : K2VF

With threaded horizontal port inlet with a Flange outlet instrument connection. A vent/test port on base. The venting bonnet is positioned on the left hand side and the isolating bonnet angular on the top.

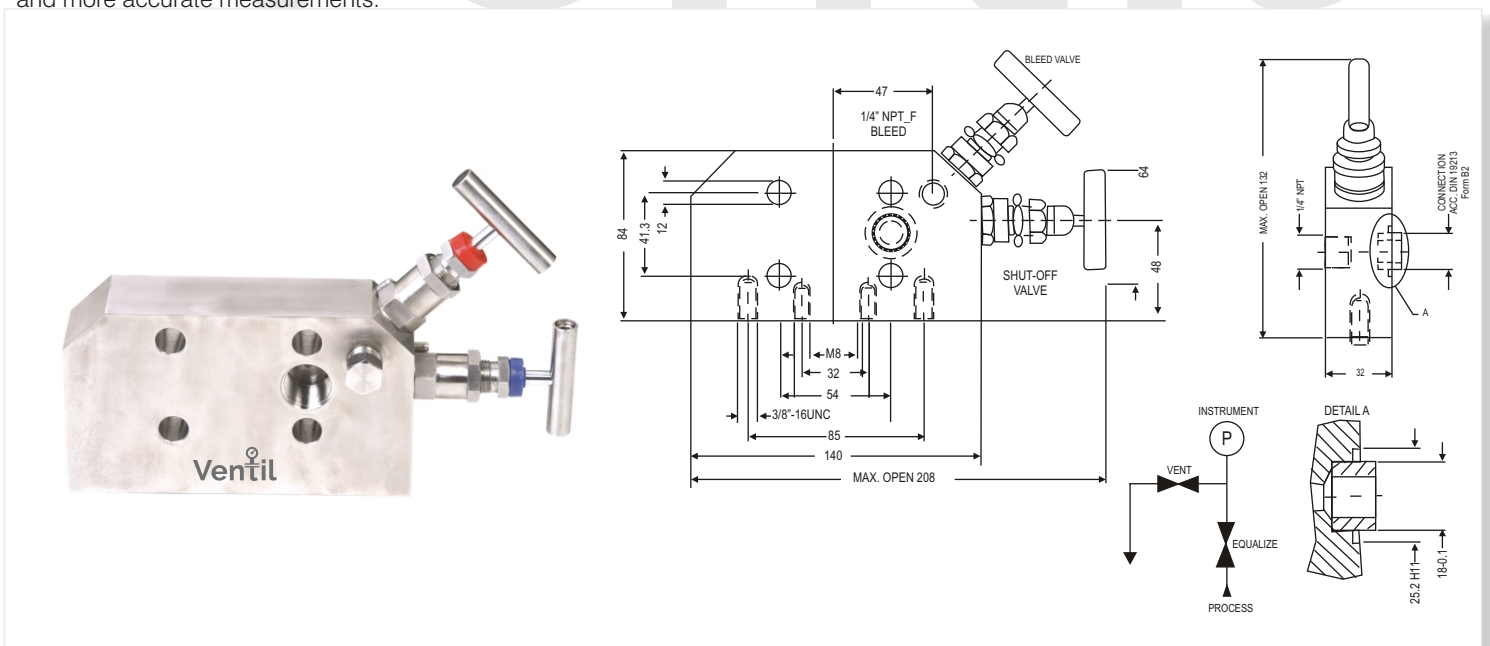


Standard Connection

Product	Process Side	Instrument Side	Vent/Test
K2VF	1/2" NPT female	Flanged	1/4" NPT female

MODEL CODE : K2V42

Two valve manifold especially designed to suit FR 3051 transmitters with inlet NPT female, outlet Flange to DIN 19213 FORM B2. The coplanar manifold when assembled to transmitter has the advantage of compact size with easy for operation in minimum space. The direct mounting facility to the base of the differential pressure transmitter result in less leakage points and more accurate measurements.



Standard Connection

Product	Process side	Instrument side	Vent/Test
K2V42	1/2" NPT female	Coplanar (DIN 19213 Form B2)	1/4" NPT female

For Further details please contact factory.



DIRECT MOUNT (PIPE TO FLANGE)

MODEL CODE : K2VF, K2V42

SPECIFICATIONS - STANDARD VERSION : K2VF, K2V42

Body	: SS 316
Stem	: SS 316
Valve assembly	: SS 316
'T' bar handle	: SS 304
Maximum working pressure	: 6000 PSI
Maximum working temperature	: 240°C
Packing	: PTFE
Type of stem	: Type CT; Stem with conical metal tip
Drain port	: 1/4" NPT [F]; provided with SS 316 plug
Bracket mounting holes	: 2 Nos.
Hard Chrome plating	: Provided on stem tip.

HOW TO ORDER

BASIC MODEL : K2VF, K2V42

Body Material	Stem Type	Stem Packing	Size = Inlet x Outlet	Connections	Threads
C = Carbon Steel	CT	P = PTFE	2F = 1/4"x Flange	MF = Male x Female	N = NPT (ANSI B 1.20.1)
S = SS 316	DS	G = Grafoil	3F = 3/8"x Flange	FF = Female x Female	P = BSPP (BS 2779, ISO 228/1)
S4 = SS 304			4F = 1/2"x Flange	SW = Socket weld	B = BSPT (BS 21, ISO 7/1)
SL = SS 316L			4C = 1/2"x Coplanar	FM = Female x Male	
M4 = Monel 400				FC = Female x Coplanar	
M5 = Monel 500					
H = Hastelloy C					

OPTIONS

- IE : Handle circular.
- TF : Compliance to NACE standard MR-0175.
- SG : For Oxygen service, valves are supplied cleaned, degreased and suitably packed.
- GH : Material test certificate
- GO : Hydro test certificate
- MB : Mounting Bracket
- MBC: Mounting bolts (7/16" UNF) in carbon steel (Model : MBC - M45, MBC - M25)
- MBS : Mounting bolts (7/16" UNF) in SS (Model : MBS - M45, MBS - M25)
- PRF : PTFE Ring For Flange Seal
- GRF : Grafoil Ring For Flange Seal
- ATV : Anti Tamper valve
- ATK : Anti Tamper key

Ordering Example:

To place an order simply refer to the codes in the table.

Valve Type : Body Material + Stem Type + Stem Packing + Size + Connections + Threads + Options
K2VF + S + CT + P + 4F + FF + N + GH = K2VF-S-CT-P-4F-FF-N-GH

NOTE:

- The weld prepared types are available with female plain end - suitable for socket weld.
- Anti-tamper bonnet - special design on request with locking arrangement if desired.

